

# CryoStick® 2.0

CryoInstrument for Cryodestruction

## Intended Use

CryoInstrument **CryoStick® 2.0** is designed for cryodestruction of minor offending areas, infiltrations, cutaneous new growths, etc.

## Fields of Application

- \* dermatology
- \* cosmetology
- \* stomatology
- \* laryngology

## Mode of Operation

A metal rod with high thermal capacity and conductivity when cooled in liquid nitrogen, accumulates enough cold to cryodestroy small formations.

The cryoinstrument has a set of replaceable tips. Their diameter and shape make it possible to carry out the cryodestruction in the optimal way, providing easy access to various areas of the skin and mucous membranes. The handle of the cryotool has an ergonomic shape, convenient for manipulation, and is at the same time a case for storing replaceable tips in the amount of 3 pcs.

## General View of the **CryoStick® 2.0**



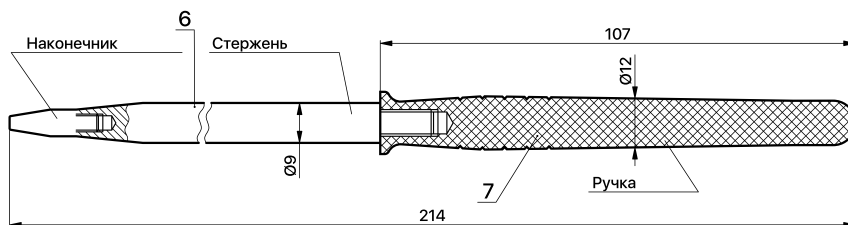
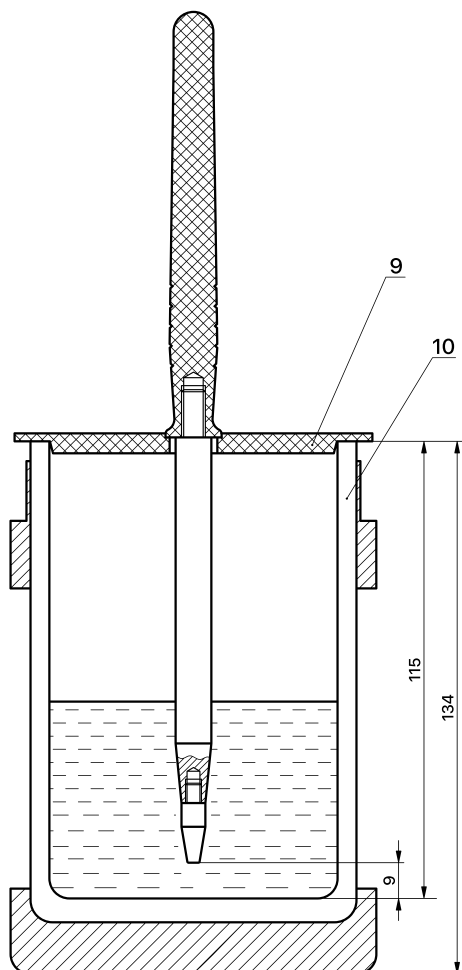
General view of **CryoStick® 2.0**



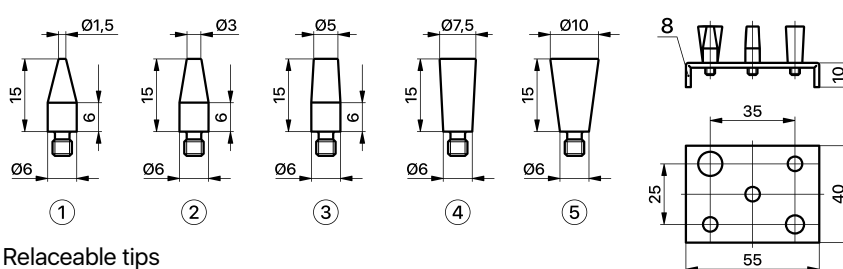
# CryoStick® 2.0

CryoInstrument for Cryodestruction

## Technical Characteristics



General view of **CryoStick® 2.0**



Relaceable tips

The set of **CryoStick® 2.0** consists of the following elements:

- 1-5. Replaceable tips
- 6. Accumulating rod
- 7. Handle
- 8. Stand for tips;
- 9. Cover-holder
- 10. Thermos

Length of the cryoinstrument assembled	214 mm
Diameter of the metal rod	9 mm
Weight of cryoinstrument with tip	80 gr
Cryoagent	liquid nitrogen
Tip temperature after complete cooling	≈ -195 °C
Tip temperature after 30 sec procedure	≈ -130 °C
Cool down time	2 min
Continuous work time	2 min

## Set of equipment

- \* Cryoinstrument **CryoStick® 2.0** – 1 ps.
- \* Thermos 0,35 l - 1 pc.
- \* Replaceable tips on the stand - 5 pcs.
- \* Cover-holder - 1 pc.

